

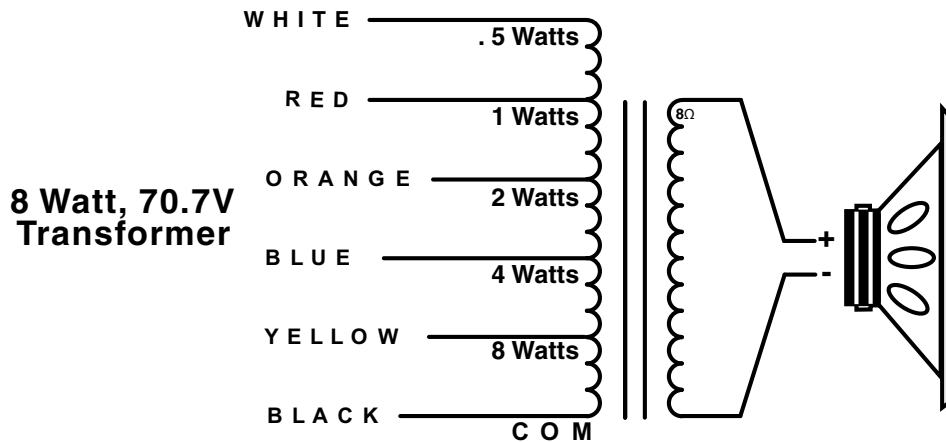
# FC104T

## Speaker Transformer Wiring Diagram

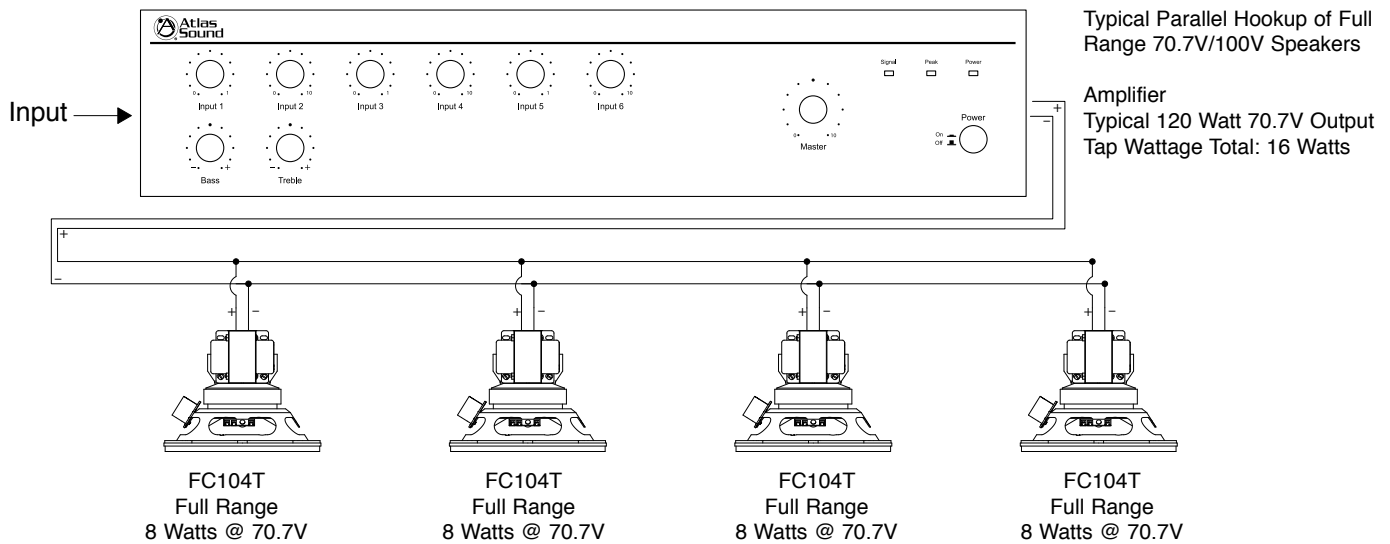
Model #	Frequency Response	Sensitivity
FC104T	150Hz-17kHz	94dB (1W/1M)

**Installation must comply with all Building Codes and NFPA guidelines. Installation must adhere to N.E.C. and NFPA 70/72 wiring directives and comply with all National and Local Building Codes.**

### Transformer Wiring Diagrams



**Speaker must be installed with UL Listed Baffle  
Model 51-4 and UL Listed Enclosure Model 96-4 or 96-4X.**



©2012 Atlas Sound L.P. All rights reserved. Atlas Sound is a trademark of Atlas Sound L.P. All other trademarks are the property of their respective owners. All specs are subject to change without notice. AT5004355 RevA 5/12