

Warranty

The model Daptor Three is covered by a 2 year warranty to be free from defective workmanship and materials. In the event that the Daptor Three needs repair, you must call us to get an authorization, and then carefully pack and ship it to us. You will pay for shipping to us and we will pay for return back to you, UPS ground. No free repairs will be made if the defect was caused by misuse, weather conditions, or other cause, except for defective workmanship or materials.

THERE ARE NO EXPRESSED OR IMPLIED WARRANTIES WHICH EXTEND BEYOND THE WARRANTY HERE MADE.

11/07

JK Audio, Inc. 1311 E 6th Street, Sandwich, IL 60548 USA
Voice: (815) 786-2929 Toll Free: 800-JK-Audio

Fax: 815-786-8502

info@jkaudio.com www.jkaudio.com

Copyright © 2007 JK Audio, Inc. All rights reserved.

Daptor Three Wireless Audio Interface



User Guide

JK Audio

Description

Daptor Three is a simple, professional audio interface using **Bluetooth** Wireless Technology. This device allows balanced and unbalanced connections to your cell phone. Daptor Three connects to your cell phone like any other **Bluetooth** Wireless Technology enabled headset. It will also connect to any other product, such as a laptop, that allows wireless headset connections.

JK Audio products are built to the tough standards of the broadcast industry. Using a die cast aluminum enclosure and rugged components throughout, Daptor Three is built to take real world abuse.

* The **Bluetooth** word mark and logos are owned by the **Bluetooth** SIG, Inc. and any use of such marks by JK Audio, Inc. is under license. Other trademarks and trade names are those of their respective owners.



FCC-B Part 15 Compliance

This device has been tested and found to comply with the limits for a Class B digital device, pursuant to Part 15 of the FCC rules. These limits are designed to provide reasonable protection against harmful interference when the equipment is operated in a commercial environment. This equipment generates, uses and can radiate radio frequency energy and, if not installed and used in accordance with the instruction manual, may cause harmful interference to radio communication. Operation of this equipment in a residential area is likely to cause harmful interference, in which case the user will be required to correct the interference at his/her own expense.

Changes or modifications not expressly approved by JK Audio can void the user's authority to operate the equipment.

Shielded interface cables and AC power cord, if any, must be used in order to comply with the emission limits.

The internal antennas used for this mobile transmitter must not be co-located or operated in conjunction with any other antenna or transmitter.

Specifications

Inputs:

Female XLR:	Balanced, 20k ohms, -4 dBu nom.
Stereo Line In:	Unbalanced, 3.5mm, 20k ohm, -10 dBu nom.
Frequency response:	Headset (phone) 300 Hz - 3400 Hz
Headphone mode:	30 Hz - 17k Hz

Outputs:

Male XLR:	Balanced, 200 ohms, 0 dBu max.
Stereo Line Out:	Unbalanced, 3.5mm, 200 ohms, -6 dBu max.
Frequency response:	Headset (phone) 300 Hz - 3400 Hz
Headphone mode:	30 Hz - 20k Hz

Power: One 9-volt battery

Size: 4.4" x 2.7" x 1.2"
(11.2 x 6.9 x 3.5 cm)

Weight: 7 ounces

Note: While Daptor Three was designed to be very rugged and durable, it is not waterproof and care should be taken to keep the unit dry.

Connection

Connect your cables from either the balanced XLR or the unbalanced stereo mini Line In and Line Out jacks to your other audio equipment.



While you can use both the balanced and unbalanced outputs simultaneously, only one input can be used at a time. If you have audio sources connected to both the balanced XLR and the unbalanced mini jack inputs, only the audio at the XLR jack will be heard.

The **Bluetooth** interface will first attempt to connect in hands free mode to a cell phone, allowing 3.4kHz telecom bandwidth. If this type of connection is not accepted, it will attempt to connect in wireless headphone mode to any product, such as a laptop computer, that allows a **Bluetooth** wireless audio connection. The wireless headphone mode offers a full 20kHz bandwidth.

While all phones and portables are different, typically if you connect in cell phone hands free mode, you will have a mono duplex connection. A connection to a music player should be in stereo mode. Consult your cell phone or portable device for more details.

Bluetooth Wireless Technology

Establishing a **Bluetooth** connection varies with different cell phones. On your phone, find and select the option to set up a connection. While monitoring the **Bluetooth** audio path with headphones on your audio equipment, press and hold the silver button on Daptor Three for approx. 5 seconds. You will hear a beep in your headphones, followed by a second beep or beeps. The blue LED will flash rapidly as Daptor Three enters Pairing Mode.

There is a difference between “Pairing Mode” and “Idle Mode”. The very first time you connect to a new device you must be in Pairing Mode. When you hold the **Bluetooth** button in, the blue LED will come on steady for a moment, then it will flash at a rate of 200 ms on and 200 ms off. This first stage is Idle Mode. Continue to hold the button in until the LED flashes rapidly, about every 100 ms. This is Pairing Mode. Once in pairing mode, any **Bluetooth** enabled device within range can pair with Daptor Three. After pairing is complete, the connection to that device is secure.

Now go to your **Bluetooth** device and search for **Bluetooth** connections. If this is the first time you have paired with this device, select the option to add an audio device. When the cell phone has found the new device, select from the list the device ID of "JKDAP3xxx" where the “xxx” corresponds to the last 3

FAQs

? How long will the battery last?

! Based on our lab tests using a standard alkaline battery with Daptor Three about 1 meter from your **Bluetooth** device, the battery should last for about 18 hours under normal use. Lithium batteries can add 3 to 4 times the battery life, at 3 to 4 times the cost. As an indicator of low battery, the blue LED will grow dim and then extinguish a short while before the battery is completely exhausted and the unit shuts down.

FAQs

- ? **What is the range of the *Bluetooth* transmitter/receiver?**
- ! Daptor Three will transmit and receive audio signals up to 25 feet from your ***Bluetooth*** device. Because transmitting signals over longer distances will require more power, you should keep Daptor Three as close as possible to your ***Bluetooth*** device to conserve battery power.
- ? **How do I send full bandwidth stereo audio through my cell phone?**
- ! Daptor Three supports A2DP (Sink), Hands Free and Headset profiles with BlueCore 3-Multimedia technology. You will be able to send full bandwidth stereo audio through any cell phone that supports A2DP.
- ? **Can I send and receive audio at the same time?**
- ! Yes, but on most phones, the audio you send into the phone will come back mixed with the receive audio.

Bluetooth Wireless Technology

digits of the unit's serial number. Enter "Yes" when asked to Bond with this device. Enter the pin number as "0000". (Earlier units with serial numbers up through DAP301110 use a unique pin of 3xxx). When bonding is complete, the blue LED will flash at a rate of 1 sec on, 2 sec off. Once Daptor Three has been added to your cell phone, subsequent connections can be made more quickly from Idle Mode.

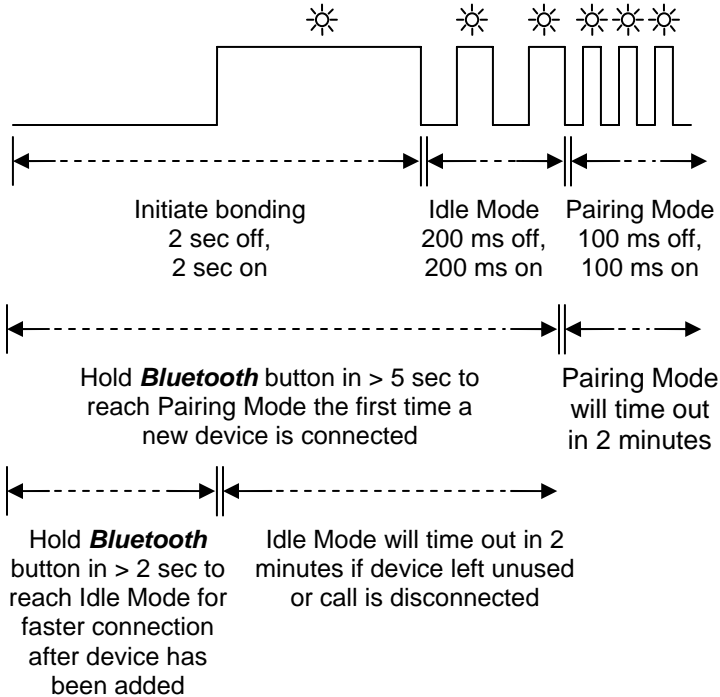
While all phones and portables are different, typically if you connect in cell phone Hands Free mode, you will have a mono duplex connection. If you connect to a music player, you will be in stereo mode. Consult your cell phone or portable device for more details.

The ***Bluetooth*** interface will first attempt to connect in Hands Free mode to a cell phone, allowing 3.4 kHz telecom bandwidth. If this is not available, it will attempt to connect in Wireless Headset mode to any product that allows a ***Bluetooth*** wireless audio connection. The Wireless Headset mode offers 20 kHz audio bandwidth.

To disconnect from the ***Bluetooth*** device, simply press the ***Bluetooth*** button and hold for 5 seconds. If left unused in Idle Mode or if a live call is disconnected, the Daptor Three will automatically disconnect ***Bluetooth*** in two minutes.

Bluetooth Wireless Technology

Bluetooth LED pattern to initiate Bonding



Bluetooth Wireless Technology

Bluetooth LED pattern after Bonding

