

### ⚠ WARNING

Before operating this equipment, please read this manual carefully and retain this for future reference. Please read carefully and retain this instruction

This equipment may cause harmful, if not installed and used in accordance with this manual.

Please follow this instruction for your safety reason.

### Attention to users

**CAUTION** This equipment may cause harm, if not installed and used in accordance with following instructions.

When set the tripod on to the dolly, make sure that spikes are covered. In case of without rubber, it may damage to tripod or dolly.

Make sure that enough space is available when set the dolly.

Limited space may cause unexpected incident such as collapsing the tripod.

Do not leave the extended dolly after usage which may be harmful to human.

Make sure that the tripod is suitable for dolly. Unsuitable tripod may cause unexpected incident.

Do not use for other purpose.

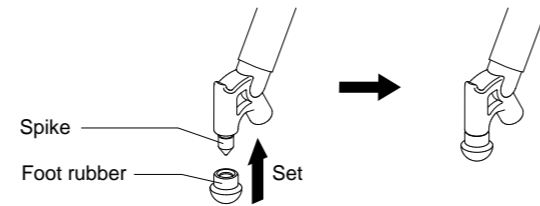
Do not dismantle or remold which cause breakdown of this equipment or harmful to users.

### Caution for users

1. Make sure that caster is locked after usage.
2. Do not set the tripod with camera on to the tripod.

### Set the tripod

1. Preparation of tripod. Make sure that spikes are covered by foot rubber.



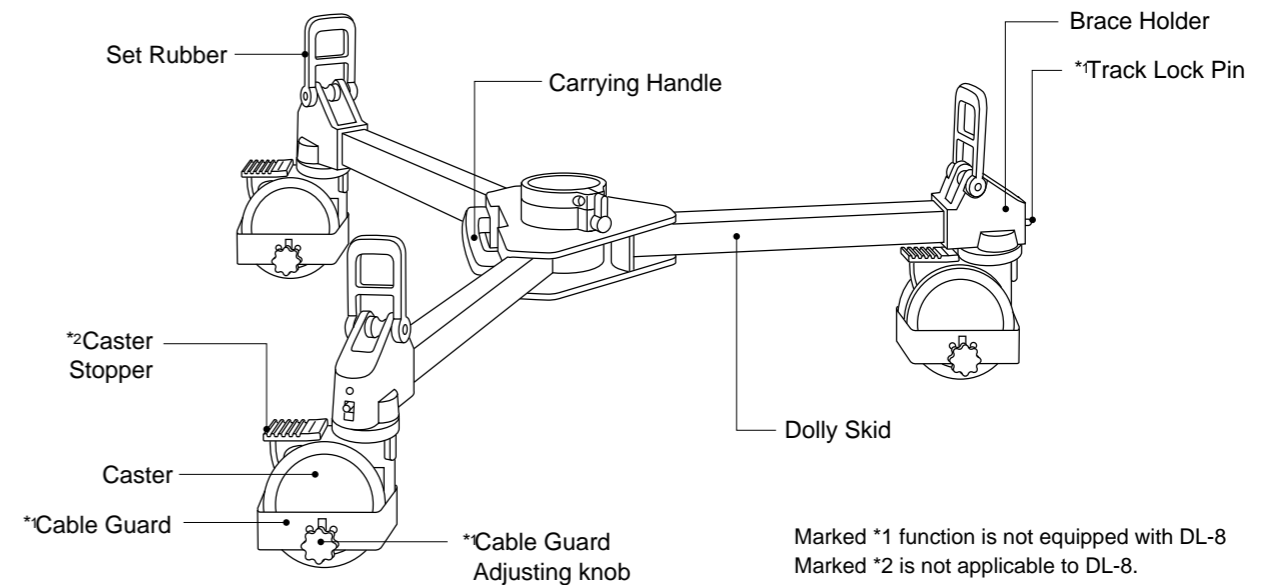
Adjust the length of tripod leg as option. (See the manual how to adjust the tripod leg.)

2. Set the tripod on to the dolly. Lock the caster in order to fix the dolly position. Set the tripod at the specific position at the dolly. Pull out the leg set rubber and slip on to spike position. Make sure that leg set rubber is firmly tightened.

3. Set free the caster lock when usage.

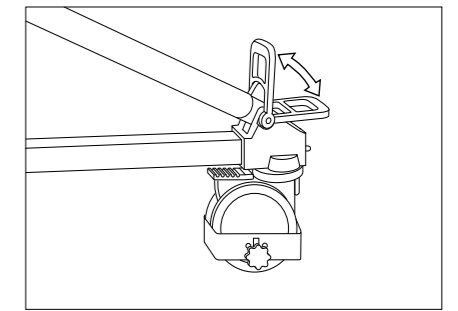
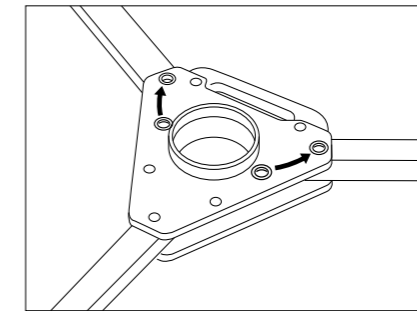
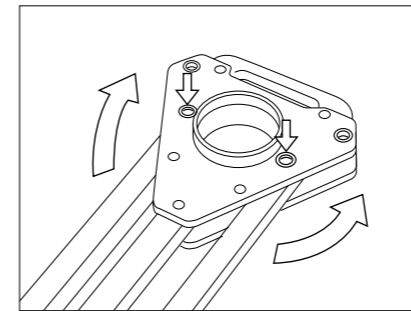
**Attention** Make sure that caster is set free when moving.

### Name of parts



### Main Body Assembly

1. Take the dolly out from the box.
2. Unfold the legs while pressing down on the lock pins at the back of the dolly.
3. After the legs are unfolded, make sure that the lock pins are placed in each lock pin hole. This will secure the legs in their position.
4. Put the set rubbers which are attached at the end of each brace over the pulley of the brace holder. Securely fasten the set rubbers to lock the column in place.



### Caster Operation

#### DL-10

The caster adopts the double lock mechanism, and can release it if the rotation and the direction of the wheel are locked and release again if unlocked.

#### DL-8

The caster will lock when stepping on the pedal. It releases again if unlocked.

Use the track lock pin when shooting while moving the dolly straight and to fold the dolly for storage. Direction of the casters can be locked at 120° degree intervals.

Cable guards prevent casters from rolling over cables. Make sure to put the cable guards down while shooting.

Adjust the height of the cable guards by loosening the knobs attached on the side of the cable guard.

