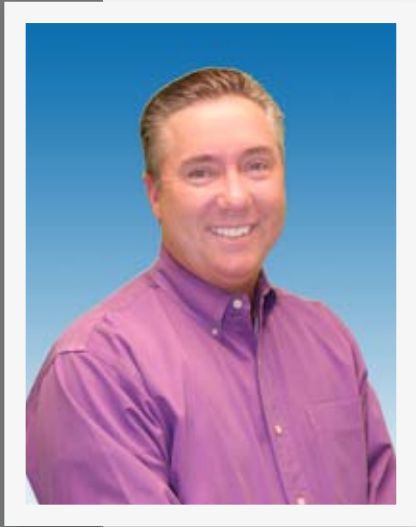




LA-326 Universal Rack Mounting Kit

Don't miss a single sound.





Dear Valued Customer,

Thank you for choosing Listen! All of us at Listen are dedicated to providing you with the highest quality products available. We take great pride in their outstanding performance because we care that you are completely satisfied. That's why we independently certify them to the highest quality standards and back them with a limited lifetime guarantee. We stand ready to answer any questions you might have during installation or in the operation of our products. Should you experience any problems whatsoever with your Listen products, we are ready to help you in any way we can with prompt, efficient customer care. Because at Listen, it's all about you! And should you have any comments on how we might improve our products or our service, we're here to listen.

Here's how to reach us:

+1.801.233.8992

1.800.330.0891 North America

+1.801.233.8995 fax

support@listentech.com

www.listentech.com

Thank you and enjoy your listening experience!

Best regards,

Russell Gentner and the Listen Team

- In the few instances where repairs were needed, 99% of all clients indicated that they were happy with repair turn-around-times and 85% of the time, clients were without their product for less than 10 days!
- Overall client satisfaction of working with Listen was rated 4.8 out of 5.
- "Please continue with your excellent attitude toward customer satisfaction. You guys are great!"
- "I've never had such good service from any company. Keep up the good work!"
- "You stand behind your product wonderfully."

LA-326 Table of Contents

Package Contents	2
Single Unit Configuration	3
Dual Unit Configuration	4
Supplementary Information	6
Optional Accessories	8
Compliance Notice/ FCC Statement	9
Warranty/ Contacting Listen	10
Notes	11

LA-326 Package Contents

LA-326 Contents

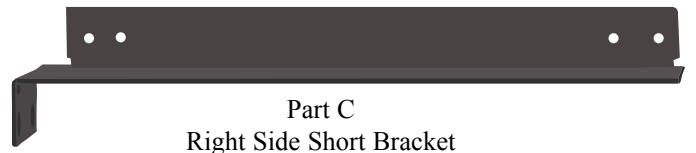
- Part A-Left Side Bracket
- Part B-Right Side Long Bracket
- Part C-Right Side Short Bracket
- Part D-Dual Mount Center Bracket
- Part E-10 Machine screws

Listen Part Number

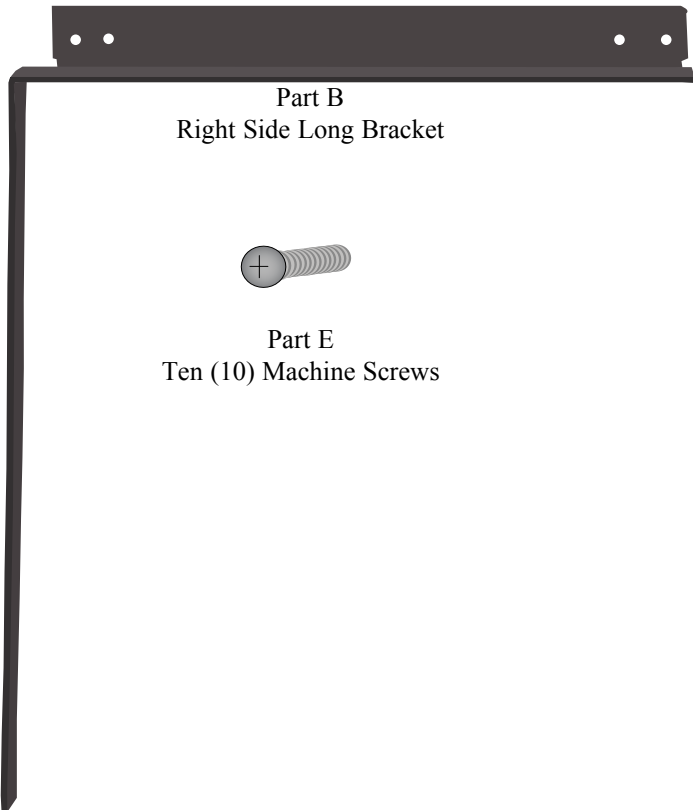
LA-326-Rack Mounting Kit



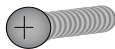
Part A
Left Side Bracket



Part C
Right Side Short Bracket



Part B
Right Side Long Bracket



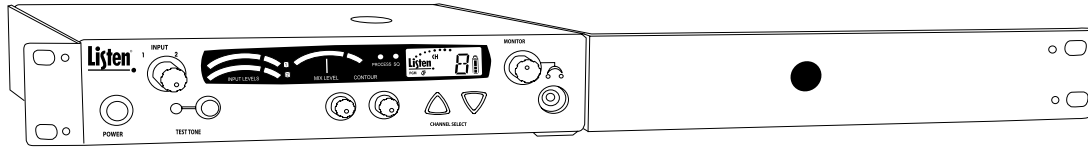
Part E
Ten (10) Machine Screws



Part D
Dual Mount Center Bracket

Package Contents

LA-326 Single Unit Configuration



1 **Locate Parts**

Locate parts A, B and bag E. The remaining parts and six of the screws in bag E will not be used in this configuration

2 **Remove Screws**

Remove the four outer screws from the bottom of the unit you are rack mounting.

3 **Install part A**

Install part A to the left side of unit using two screws from bag E. Use the set of holes toward the front of the bracket, making this part flush with the front edge of the unit.

4 **Install part B**

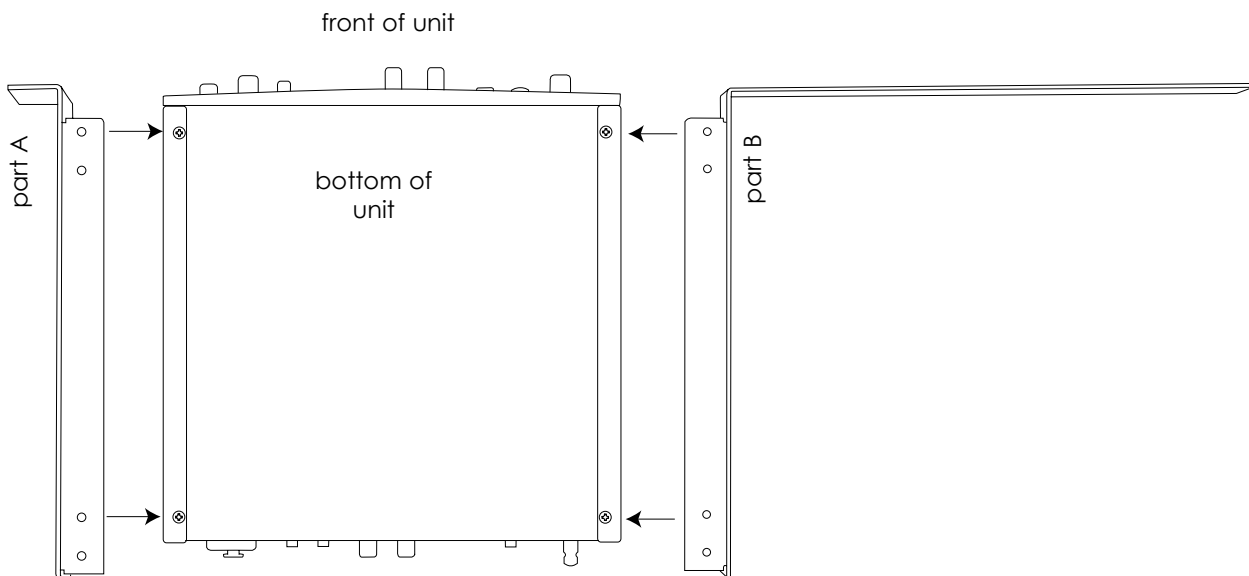
Install part B to the right side of unit using two screws from bag E. Again, use the set of holes toward the front of the bracket, making it sit flush with the front edge.

5 **Install Antenna**

Optional: Install the LA-125 or LA-126 antenna kit. Antenna kit is purchased separately.

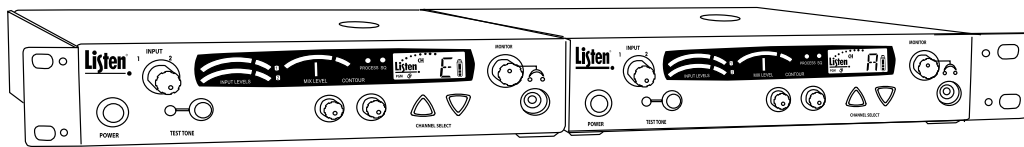
6 **Mount**

Mount in rack.



LA-326 Dual Unit Configuration

Dual Units without Security Cover



1 **Locate Parts**

Locate parts A, C, D and bag E. The remaining parts will not be used in this configuration.

2 **Remove Screws**

Remove the four outer screws from the bottom of the unit you are rack mounting.

3 **Pick Sides**

Determine which unit will be on the right side of the rack (unit "1").

4 **Install part C**

Install part C to the right side of unit "1" using two screws from bag E. Again, use the set of holes toward the front of the bracket, making this part flush with the front edge.

5 **Install part A**

Install part A to the left side of unit "2" using two screws from bag E. Again, use the set of holes toward the front of the bracket, making this part flush with the front edge.

6 **Remove Screw**

Remove the screw that is near input 1 connection on the rear of unit "1". See figure A.

7 **Remove Screw**

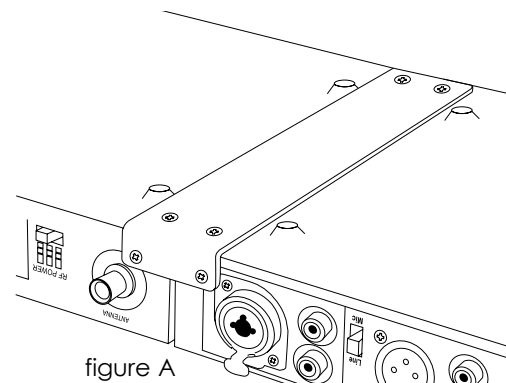
Remove the screw that is near the remote antenna connection on the rear of unit "2".

8 **Install part D**

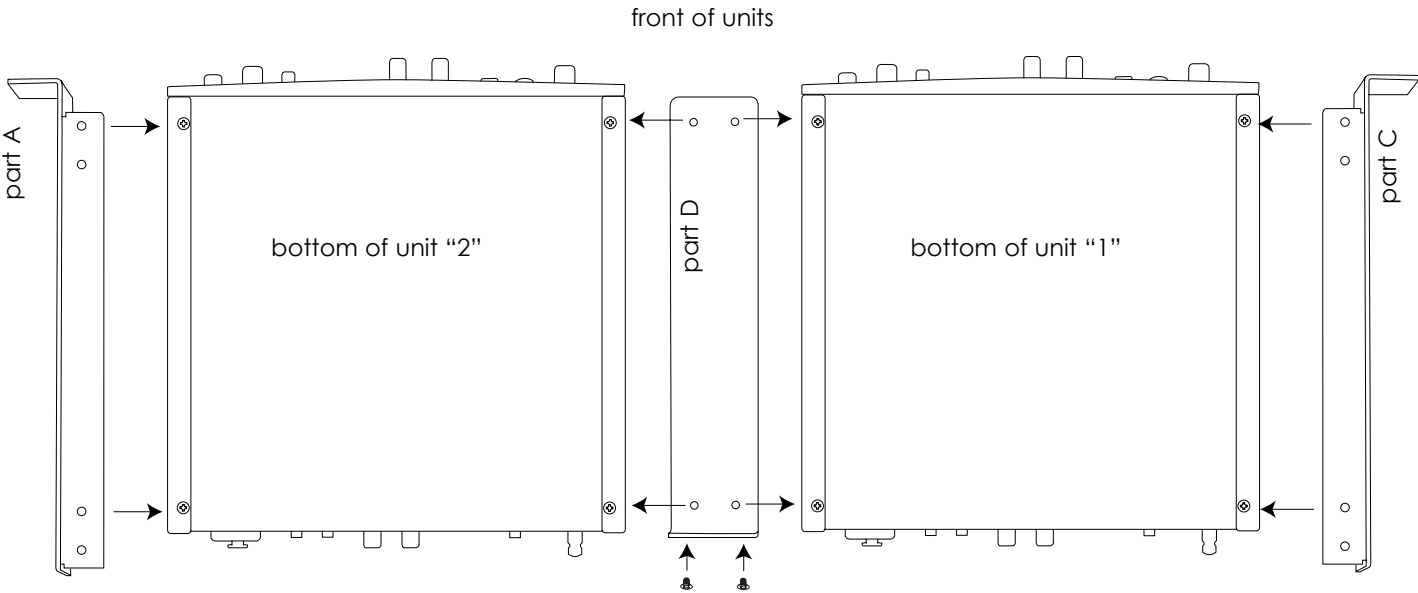
Install part D to both units using six screws from bag E. See figure A.

9 **Mount**

Mount in rack.



LA-326 Dual Unit Configuration (cont.)

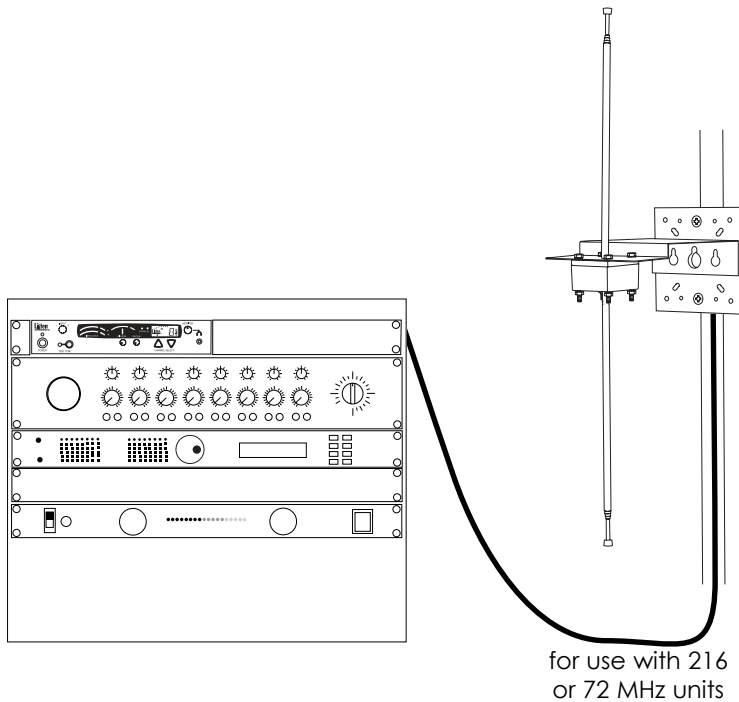


Information about Antennas for Rack Mounted FM Equipment

An antenna is not included with the LA-326. All antennas must be purchased separately. Top mount telescoping antennas cannot be used with a rack mounted unit.

LA-122

The LA-122 Universal Remote antenna is a great option for a rack mounted units. This kit allows both a monopole and dipole configuration, depending on your needs, and can be mounted to a wall, ceiling, electrical box or a mast. It includes antenna's for both 72 and 216 MHz units. It also includes 25 feet of coaxial cable with BNC connections.



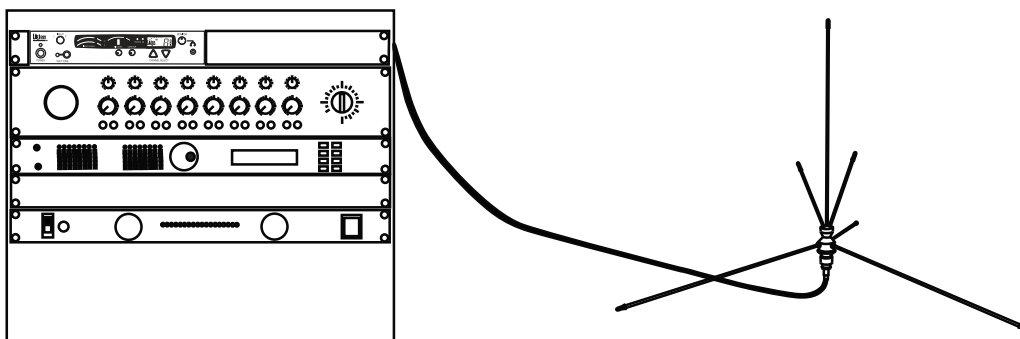
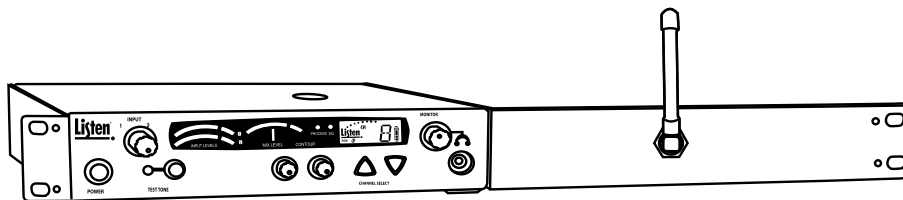
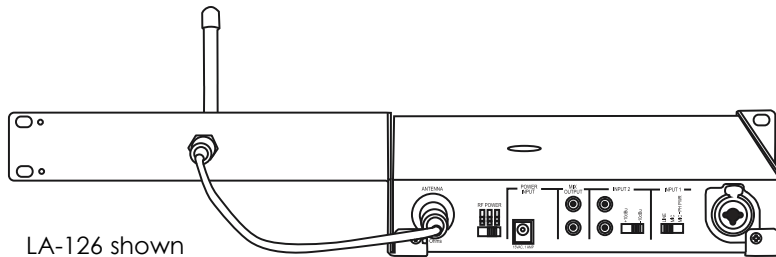
Information about Antennas for Rack Mounted FM Equipment

LA-125 and LA-126

The LA-125 and LA-126 kits are also great options for rack mounted units (LA-125 for 72 MHz units and LA-126 for 216 MHz units). These kits can only be installed when using Single Unit Configuration. These kits bring the antenna connection from the rear of the LT-800 or LR-100 to the front of the rack unit, where a 90 Degree Helical Antenna is connected.

LA-107

The LA-107 is another antenna kit to consider **if you are using 216 MHz units**. This antenna is similar to the LA-122 except it includes 50 feet of coaxial cable and is terminated with a weatherproof ° wave antenna. The LA-107 kit includes a bracket for remote mast mounting.



Optional Accessories

Accessories



LA-125 (72 MHz) and LA-126 (216 MHz)
Antenna Kit for Rack Mount

Compliance Notice & FCC Statement

Compliance Notice

This device complies with part 15 of the FCC Rules. Operation is subject to the following two conditions: (1) These devices may not cause harmful interference, and (2) these devices must accept any interference received, including interference that may cause undesirable operation.

Listen's LT-800 Transmitter (216 MHz only)

Listen's LT-800 transmitter is authorized by rule under the Low Power Radio Service (47 C.F.R. Part 95) and must not cause harmful interference to TV reception or United States Navy SPASUR installations. You do not need an FCC license to operate these transmitters. These transmitters may only be used to provide: auditory assistance to persons with disabilities, persons who require language translation, or persons in educational settings; health care services to the ill; law enforcement tracking services under agreement with a law enforcement agency; or automated maritime telecommunications system (AMTS) network control communications. Two-way voice communications and all other types of uses not mentioned above are expressly prohibited.

This device must be installed by a trained audio professional or certified dealer of Listen. The user can't make any modifications to the unit without expressed written consent of Listen Technologies Corporation. Any modifications made will void the FCC compliance, Listen warranty and the users authority to operate Listen's equipment.

FCC Statement

This equipment has been tested and found to comply with the limits for a class B digital device, pursuant to part 15 of the FCC Rules. These limits are designed to provide reasonable protection against harmful interference in a residential installation. This equipment generates, uses and can radiate radio frequency energy and if not installed and used in accordance with the instructions, may cause harmful interference to radio communications. However, there is no guarantee that interference will not occur in a particular installation. If this equipment does cause harmful interference to radio or television reception, which can be determined by turning the equipment off and on, the user is encouraged to try to correct the interference by one or more of the following measures:

- Reorient or relocate the receiving antenna.
- Increase the separation between the equipment and receiver.
- Connect the equipment into an outlet on a circuit different from that to which the receiver is connected.
- Consult the dealer or an experienced radio/TV technician for help.

This equipment has been certified to comply with the limits for a class B computing device, pursuant to FCC and IC Rules. In order to maintain compliance with FCC and IC regulations, shielded cables must be used with this equipment. Operation with non-approved equipment or unshielded cables is likely to result in interference to radio and TV reception. The user is cautioned that changes and modifications made to the equipment without the approval of manufacturer could void the user's authority to operate this equipment.

Warranty & Contacting Listen

Warranty

Listen Technologies Corporation (Listen) warrants its transmitters and receivers (LT-82, LT-700, LT-800, LR-100, LR-42, LR-44, LR-300, LR-400, LR-500, LR-600) to be free from defects in workmanship and material under normal use and conditions for the useful lifetime of the product from date of purchase.

Listen warrants its Stationary IR Radiators (LA-140) to be free from defects in workmanship and material under normal use and conditions for three years from the date of purchase.

Listen warrants its Noise Canceling Microphone (LA-270) to be free from defects in workmanship and material under normal use and conditions for one year from date of purchase.

Listen warrants its Charging/Carrying Cases (LA-306, LA-311, LA-313, LA-317, LA-318, LA-319, LA-320, LA-321, LA-322, LA-323, LA-324, LA-325) to be free from defects in workmanship and material under normal use and conditions for one year from date of purchase.

All other products and accessories are warranted for 90 days from date of purchase.

This warranty is only available to the original end purchaser of the product and cannot be transferred. Warranty is only valid if warranty card has been returned within 90 days of purchase. This warranty is void if damage occurred because of misuse or if the product has been repaired or modified by anyone other than a factory authorized service technician. Warranty does not cover normal wear and tear on the product or any other physical damage unless the damage was the result of a manufacturing defect. Listen is not liable for consequential damages due to any failure of equipment to perform as intended. Listen shall bear no responsibility or obligation with respect to the manner of use of any equipment sold by it. Listen specifically disclaims and negates any warranty of merchantability or fitness of use of such equipment including, without limitation, any warranty that the use of such equipment for any purpose will comply with applicable laws and regulations. The terms of the warranty are governed by the laws of the state of Utah.

In the first ninety days after purchase, any defective product will be replaced with a new unit. After 90 days, Listen will, at its own discretion either repair or replace transmitters and receivers with a new unit or a unit of similar type and condition. Product that is not covered under warranty shall be repaired or replaced with a unit of similar type and condition based on a flat fee. Contact Listen for details.

This limited warranty, prices and the specifications of products are subject to change without notice.

Contacting Listen

If technical service is needed, please contact Listen. Pre-authorization is required before returning Listen products. If products were damaged in shipment, please contact the carrier, then contact Listen for replacement or repair requirements payable by the carrier.

Listen's corporate headquarters are located in Bluffdale, Utah U.S.A. and are open Monday through Friday, 8am to 5pm Mountain Time.

14912 Heritagecrest Way
Bluffdale, Utah 84065-4818
+1.801.233.8992
+1.800.330.0891 North America
+1.801.233.8995 fax

support@listentech.com
www.listentech.com

Listen Technologies GmbH
Jasminstr.16, 90522 Oberasbach, Germany
+49 911 955 159 0 Europe
+49 911 955 159 40 Fax
support@listentech.de
www.listentech.de

Notes



Listen Technologies Corporation
14912 Heritagecrest Way
Bluffdale, Utah 84065-4818, U.S.A.
+1.801.233.8992
1.800.330.0891 North America
+1.801.233.8995 fax

www.listentech.com

Printed in the United States of America

© 2010 Listen Technologies Corporation® All Rights Reserved 06252010