

A/V Flush Mount Bulkhead Panels

(Unloaded)

Applications

- Headends
- Multimedia edit suites
- Master control rooms
- Satellite
- Telcom
- Broadband

Features

1. Black powder-coated metal
2. Tapped screw holes

Benefits

1. Strong and scratch resistant
2. Each connector individually isolated from panel



BNC 16

16 jack holes, 1RU, 0.35 inch pre-printed designation strip



BNC 32

32 jack holes, 2RU, 0.35 inch pre-printed designation strip

Flush Mount Bulkhead Panels

(Loaded)

Applications

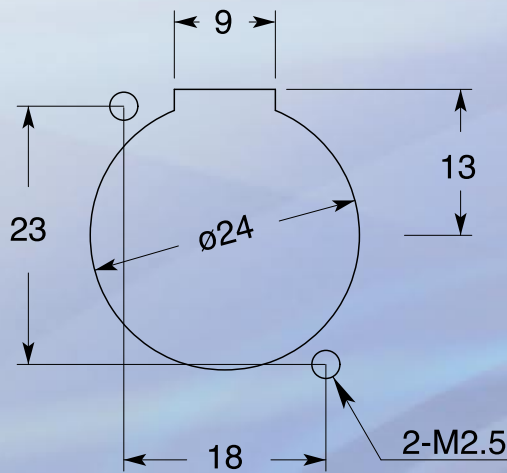
- Headends
- Multimedia edit suites
- Master control rooms
- Satellite
- Telcom
- Broadband

Features

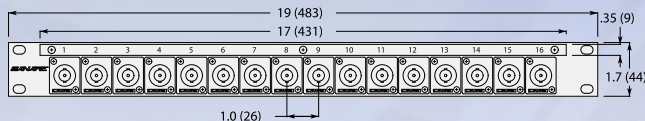
1. Isolated BNC, RCA, F, XLR on same panel
2. 16 gauge cold rolled steel panel
3. Top & bottom panel reinforcement folds

Benefits

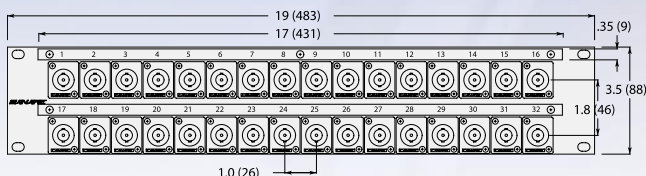
1. Flexible, customizable layout
2. Strong; impact and torsion resistant
3. Extra support to prevent bending and sagging



Flush Mount Hole



1RU Dimensions



2RU Dimensions

Model Selection Guide

16 1U - BJRU

Connector Quantity
16, 32

Panel Height
1U = 1 Rack Unit
19" x 1.7"

2U = 2 Rack Unit
19" x 3.5"

Connector

- BJRU = BCJ-JRU
- FJRU = FJ-JRU
- RJSU = RJ-RU
- RJRU = RJ-BCJRU
- X1F = XLR3-31F77
- X2F = XLR3-32F77
- X12F = XLR3-31/32F77

Type

- BNC-BNC
- F-F
- RCA-Solder
- RCA-BNC
- Female XLR-Solder
- Male XLR-Solder
- M&F XLR-Solder