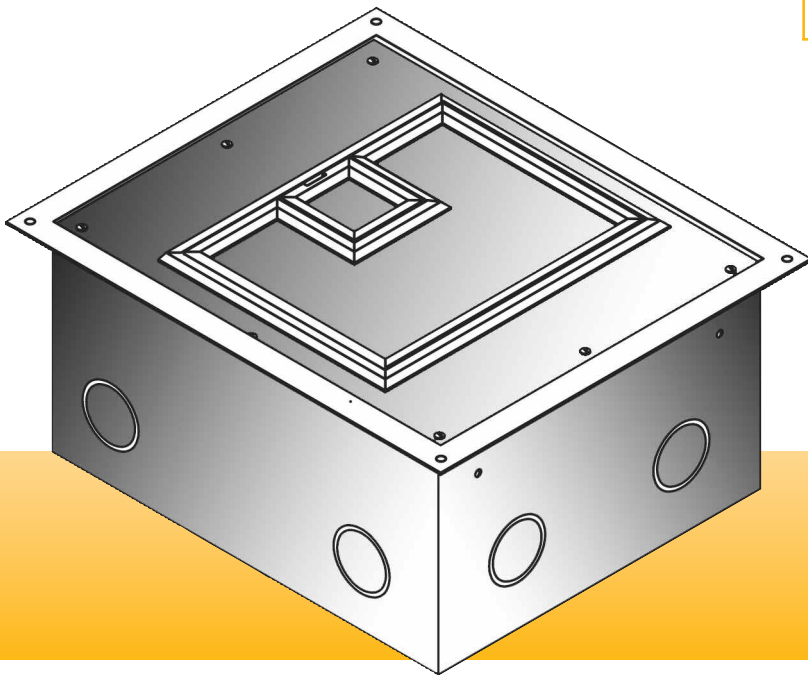


FL-540P

RAISED ACCESS FLOOR BOX



DESCRIPTION

The FL-540P floor box is designed for raised access carpeted floors. This floor box provides a practical solution for cable storage while maintaining easy access. The lift off section of the cover allows full access to the internal cables and connector plates. A smaller hinged trap door folds back to create the cable exit. Cables can be stored within the box when not in use, allowing unencumbered travel over the floor. The sturdy drop-in floor lip supports the unit and installs flush with the floor. The 1/4" carpet edging is available in brass or aluminium.

Inside the FL-540P, two angled brackets are provided for cable connections with ample clearance for cable connectors. The plate spacing provides a single, double and a four gang opening which is all isolated for maximum safety.

The FL-540P is extremely sturdy steel construction and has been designed to fit the needs of power, audio, video and data applications.

FSR Inc.

244 Bergen Boulevard, Woodland Park, NJ 07424
 Phone: 973.785.4347 · Fax: 973.785.4207
 Web: www.fsrinc.com · E-mail: sales@fsrinc.com
 Order Desk: 1-800-332-FSR1 LIT1063B

SPECIFICATIONS

- Size:** Box: 10" X 12" X Depth (choice of 4" or 6")
 Rim: 11.5" x 13.5"
 Cover: 10" X 12"
- Edging:** Height: 1/4" in beveled or square profiles
- Material:** Brass or Aluminium
- Weight:** Box: 19 lbs. (approx.) Cover: 6 lbs. (approx.)
- Knockouts:** Total of twelve, 1" or 1 1/4"
- Fold back cable exit
- Lift off full access door
- Drop in floor support lip

ORDERING INFORMATION

FL-540P - Requires Cover and Back Box

Covers - UL Listed

FL-540P-BLP-C	1/4" Beveled Brass Carpet Flange (Lift off door)
FL-540P-BSQ-C	1/4" Square Brass Flange (Lift off door)
FL-540P-SLP-C	1/4" Beveled Aluminum Carpet Flange (Lift off door)
FL-540P-SSQ-C	1/4" Square Aluminum Flange (Lift off door)
FL-540P-BLK-C	(No Flange) With Hinged Door in Black Sandtex
FL-540P-OAK-C	(No Flange) With Hinged Door in Lt. Oak Sandtex

Back Boxes - UL Listed - Includes Steel Construction Cover

FL-540P-4	FL-540P Back Box - 4" Deep
FL-540P-6	FL-540P Back Box - 6" Deep

FL-540P INTERNAL BRACKET ARRANGEMENT

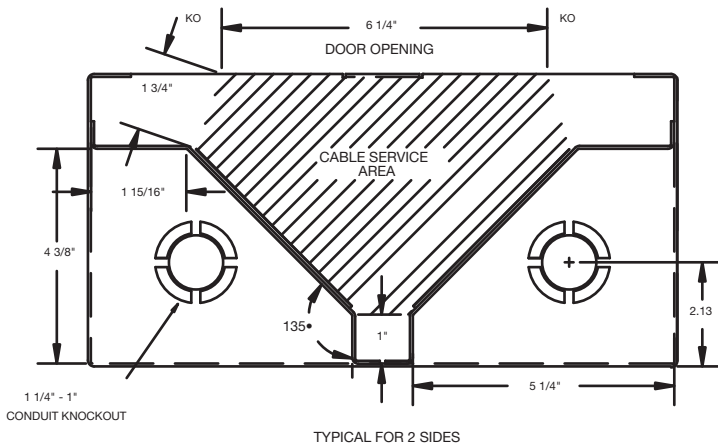
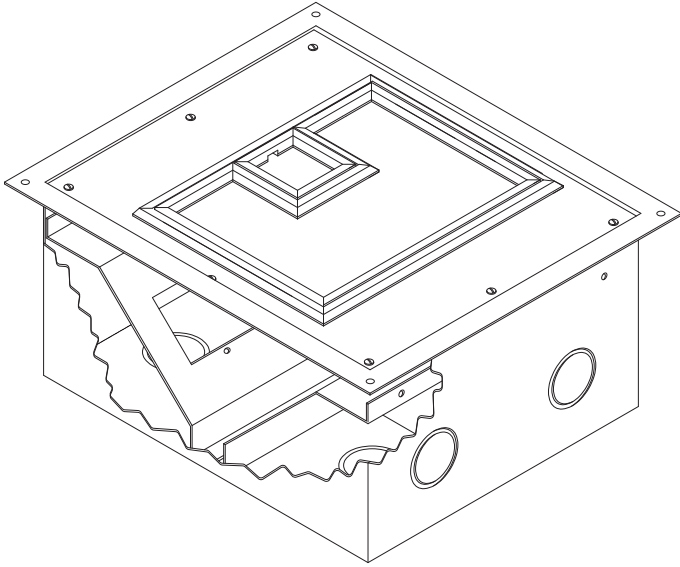
Mounting Cutout:

12 3/8" x 10 3/8" +/- 1/8"

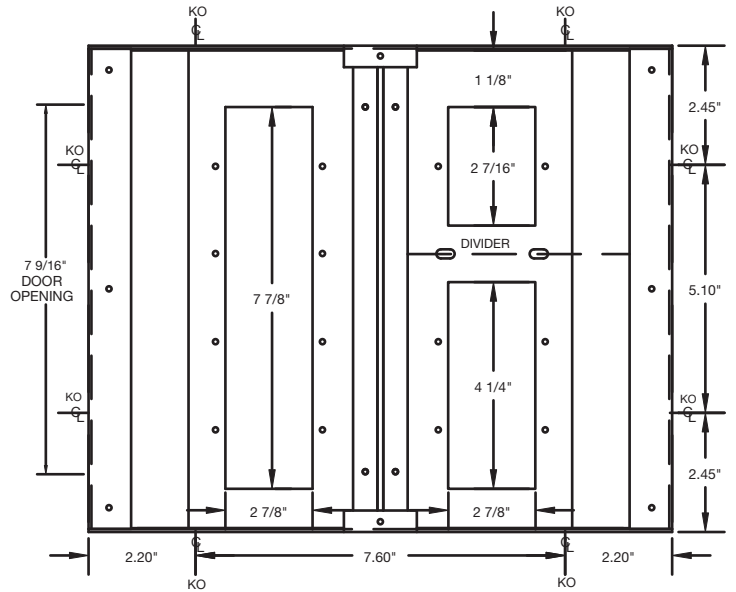
Mounting brackets handle standard electrical plates.

The two Internal Brackets accommodate:

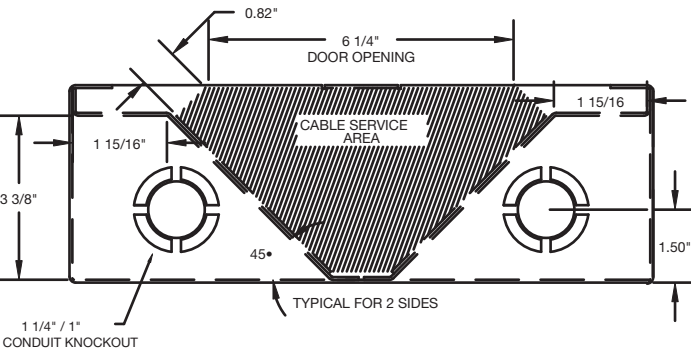
- 1 - Single Gang Plate
- 1 - Two Gang Plate
- 1 - Four Gang Plate



6 INCH FL-500P / 540P FLOOR BOX CONNECTOR CLEARANCE



4 INCH FL-500P / 540P FLOOR BOX CONNECTOR CLEARANCE



244 Bergen Boulevard, Woodland Park, NJ 07424
 Phone: 973.785.4347 · Fax: 973.785.4207
 Web: www.fsrinc.com · E-mail: sales@fsrinc.com



Specifications are subject to change without notice.