

X_TS mini



Descriptions

X_TS mini is the Portable Cross-Converting & Measuring Equipment fully supporting up to 1080p60 for SDI(SD/HD/3G) and HDMI(SD/HD/Full HD). X_TS mini provides the perfect UP/DOWN/CROSS conversion between SDI and HDMI and the powerful measurement functions for Signal Integrity Checks, Audio Level Monitoring(max 8 channels) as well as Test Pattern Generator.

Features

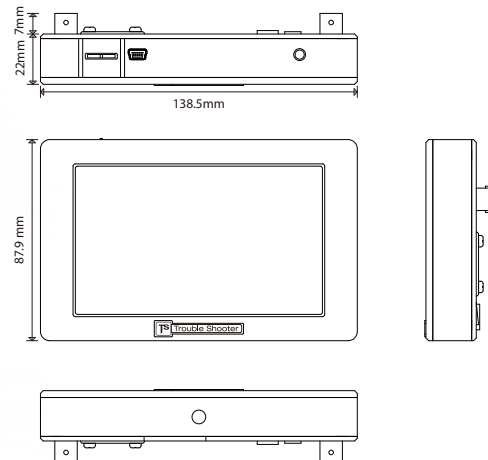
- SDI to HDMI, HDMI to SDI cross conversion
- SDI In/Output : SD/HD/3G - all standard format supported
- HDMI In/Output : SD/HD/Full HD - all standard format supported
- Test Pattern Generator : 8 types provided - Static/ Pathological/ Moving Box, etc.
- Test pattern generation and measurement at the same time.
- Eye pattern diagram for SDI signal (720p, 1080i, 1080p)
- SDI signal integrity check (Loss, TSR, CRC, Line number)
- HDMI signal integrity check (Loss, Resolution, HDCP)
- Audio level monitoring (up to 8 channels)
- Audio monitoring earphone output
- 5" Touch Screen LCD (800 x 480)
- (option) Battery Plate provided : compatible with Sony NP-F / Cannon LP-E6

Operating Environment

Power Level	+12VDC
Power Consumption	9 Watts (Maximum 10 Watts)
Operating Temperature	0°C ~ 70°C
Humidity	0% ~ 95% RH, Non-condensing

Dimension Drawing

W138.5 x L87.9 x H22.0 mm / 325g



Video Standards

- HDMI v1.3 format Support
- Multi-rate SDI format Support
- SD format : 525/29.97(NTSC), 625/25(PAL), 480P, 576P
- HD format : 720P(24/25/30/50/59.94/60) 1080i(50/59.94/60) 1080p(24/25/30/sf24/50/59.94/60)

LCD Specification

- Size: 5.0 Inch
- Resolution : 800 x 480
- Pixel area : 0.135mm(W) x 0.135mm(H)
- Display Area : 108mm(W) x 64.8mm(H)

Application

