

SWIT[®]

S-4605 SDI to Optical Fiber converter
S-4606 Optical Fiber to SDI converter

USER MANUAL

SWIT Electronics Co., Ltd.

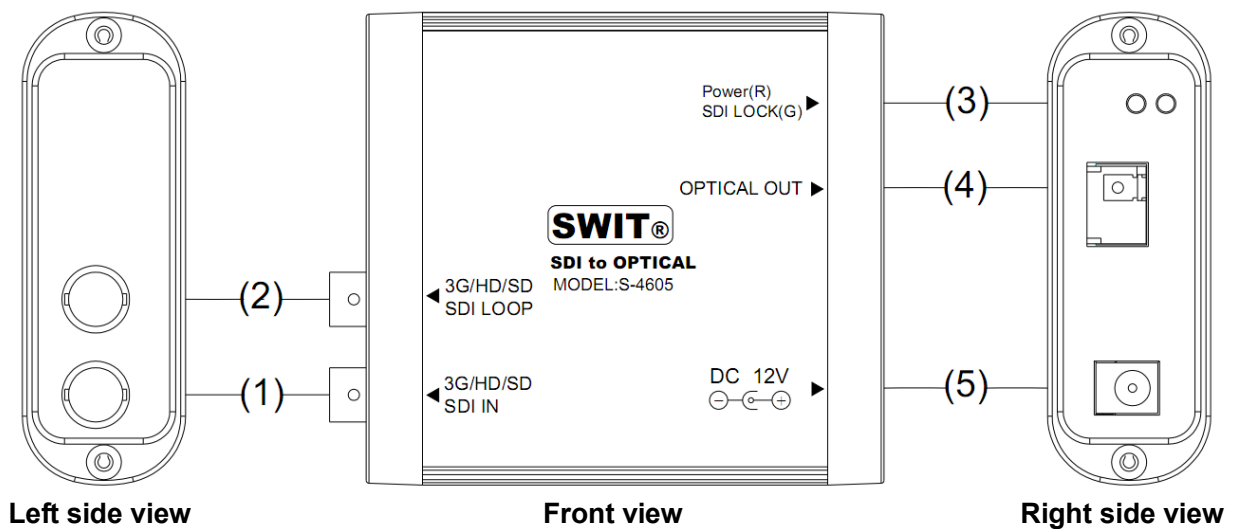
Tel: +86-25-85805753
Fax: +86-25-85805296
<http://www.swit.cc>
E-mail: contact@swit.cc

1. Characteristics

- ◆ Portable 3G/HD/SD-SDI transmission via Optical Fiber
- ◆ Single-mode optical fiber, max 20km reliable transmission
- ◆ Support hot swap of optical module
- ◆ S-4605: SDI to Optical Fiber, with SDI loop output
- ◆ S-4606: Optical Fiber to SDI, with 2 SDI output
- ◆ Heavy duty housing, with bottom screw threads for installing

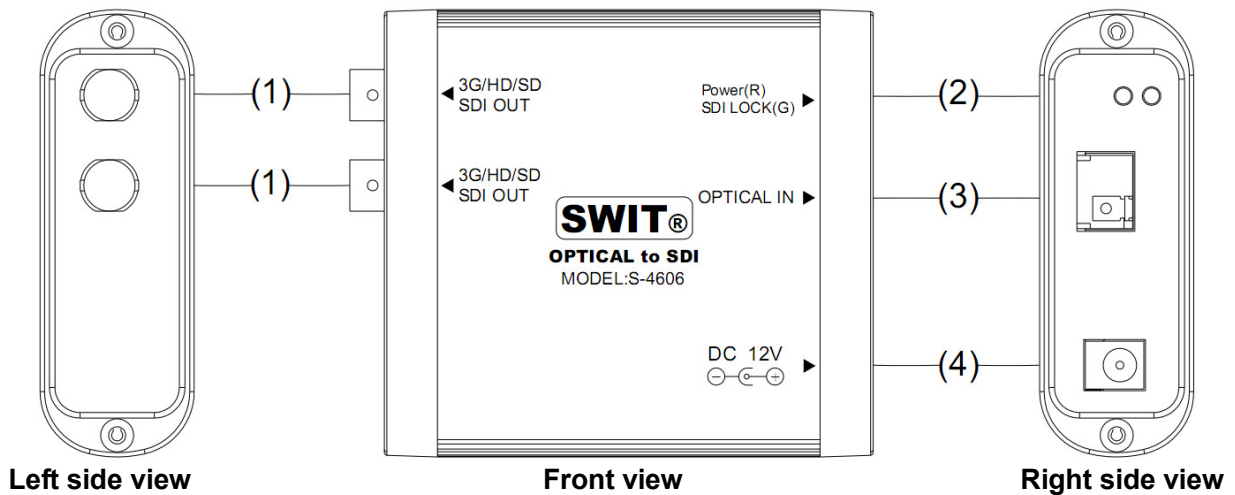
2. Product View

S-4605



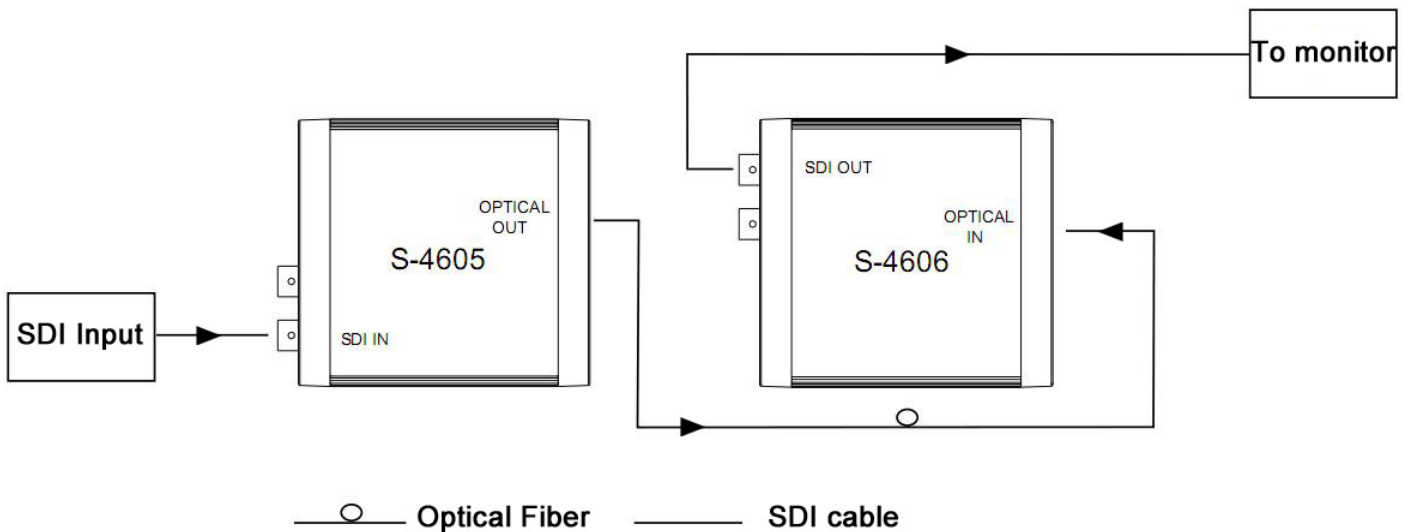
- (1) **SDI IN:** 3G/HD/SD-SDI input (BNC)
- (2) **SDI LOOP:** 3G/HD/SD-SDI loop through output (BNC)
- (3) **LED status indicator**
- (4) **OPTICAL OUT:** Optical fiber output (LC)
- (5) **DC 12V:** 5.5mm pole DC input

S-4606



- (1) **SDI OUT:** 3G/HD/SD-SDI output x2 (BNC)
- (2) **LED status indicator**
- (3) **OPTICAL IN:** Optical fiber input (LC)
- (4) **DC 12V:** 5.5mm pole DC input

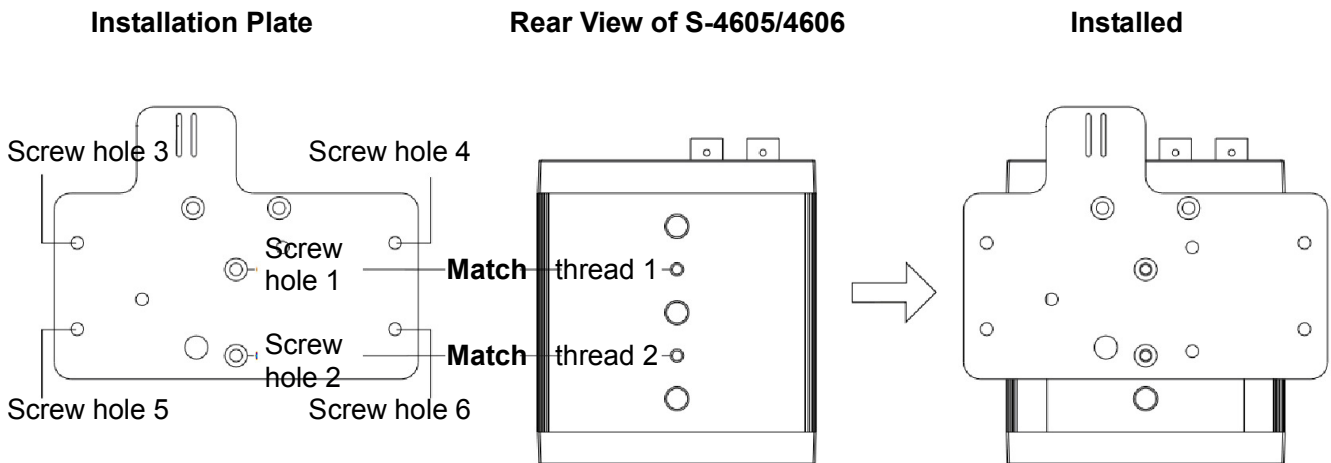
3. Working Flow



4. LED status Indicators

- (1) Power (Red): Power indicator
- (2) SDI LOCK (Green): SDI indicator, lights on when there's SDI input or output recognized

5. Installation Plate



Match the screw holes 1&2 with the threads 1&2 of S-4605/4606, and fix the installation plate to the S-4605/4606 by the supplied screws.

The screw holes 3, 4, 5, 6 are used to install the converter to wall or racks.

6. Specifications

Model	S-4605		S-4606
Input	3G/HD/SD SDI×1		OPTICAL×1
Output	3G/HD/SD SDI×1; OPTICAL×1		3G/HD/SD SDI×2
SDI Format	SMPTE-425M	1080p (60/59.94/50)	
	SMPTE-274M	1080p (30/29.97/25/24/23.98)	
		1080i (60/59.94/50)	
	SMPTE-296M	720p (60/59.94/50)	
	ITU-R BT.656	576i (50)	
SMPTE-125M	480i (59.94)		
Optical connector	LC		
Transmission distance	20km		
Wavelength	1310nm	1260nm~1580nm	
Power consumption	≤3W		
Working voltage	DC 6-18V		
Working environment	Temperature: 0°C -+70°C, Humidity:10%-90%		
Dimension	98×84×29 mm		
Net weight	200g		

7. Maintenance

1. Please do not disassemble the product by yourself.
2. Keep the product away from rain or moisture.
3. Please use the provided power adapter and if you use third party power adapter, please make sure the voltage range, supplied power, and polarity of power lead are fit.