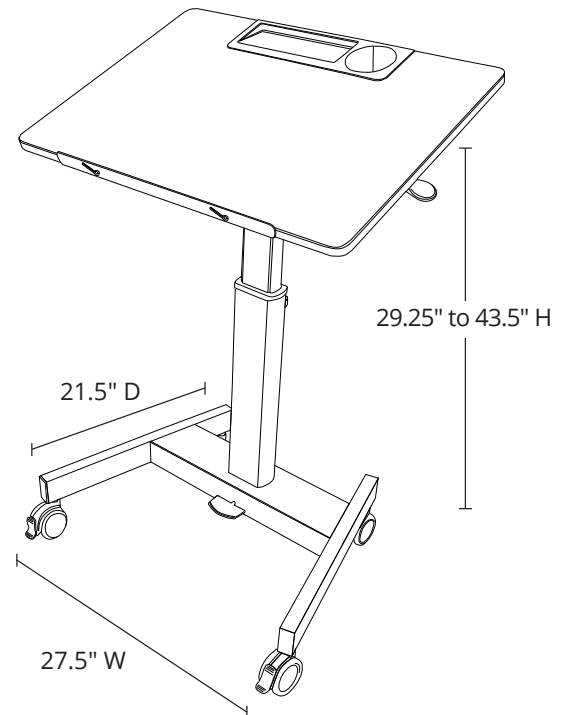


STUDENT-P-TILT

28" x 21" Pneumatic Adjustable Height Flip-Top Student Desk/Nesting Desk

Product Specifications

Item Number	STUDENT-P-TILT
Dimensions (with included casters)	27.5" W x 21.5" D x 29" to 43.5" H
Dimensions (with included furniture glides)	27.5" W x 21.5" D x 26.25" to 40.75" H
Product Weight	34.5 lbs.
Base Material	Powder-coated steel
Column Material	Powder-coated aluminum
Desktop Material	MDF with PVC edging
Frame Color	Medium Gray
Desktop Color	Light Gray
Desktop Dimensions	27.5" W x 21.5" D
Height Adjustment Mechanism	Foot pedal-actuated pneumatic cylinder
Height Adjustment Range (with casters)	Anywhere between 29" and 43.5" H
Height Adjustment Range (with furniture glides)	Anywhere between 26.25" and 40.75" H
Desktop Tilt Adjustment	Three positions: desk, lectern, nesting
Desktop Tilt Adjustment Mechanism	Hand Lever
Weight Capacity	35 lbs.
Casters (4)	3" full swivel; two with locking brakes
Additional Features	Backpack hook, cup holder, pencil holder, paper stopper
Meets ANSI/BIFMA	Yes
Meets CPSIA	Yes
Shipping Method	Ground
Shipping Carton Dimensions	32.8" W x 25.2" D x 6.2" H
Shipping Weight	42.2 lbs.
Assembly Required	Yes



To Order, Call Your
Sales Representative or
800-323-4656