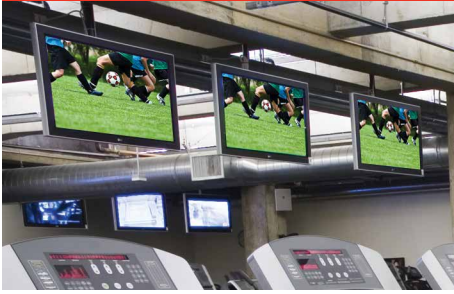


PLCM-UNL
PLCM-UNL-CP



Mounting Pattern
Up to 600 x 400mm
(23.62" x 15.75")



Max load
150lb
(68.2kg)

SMARTMOUNT.

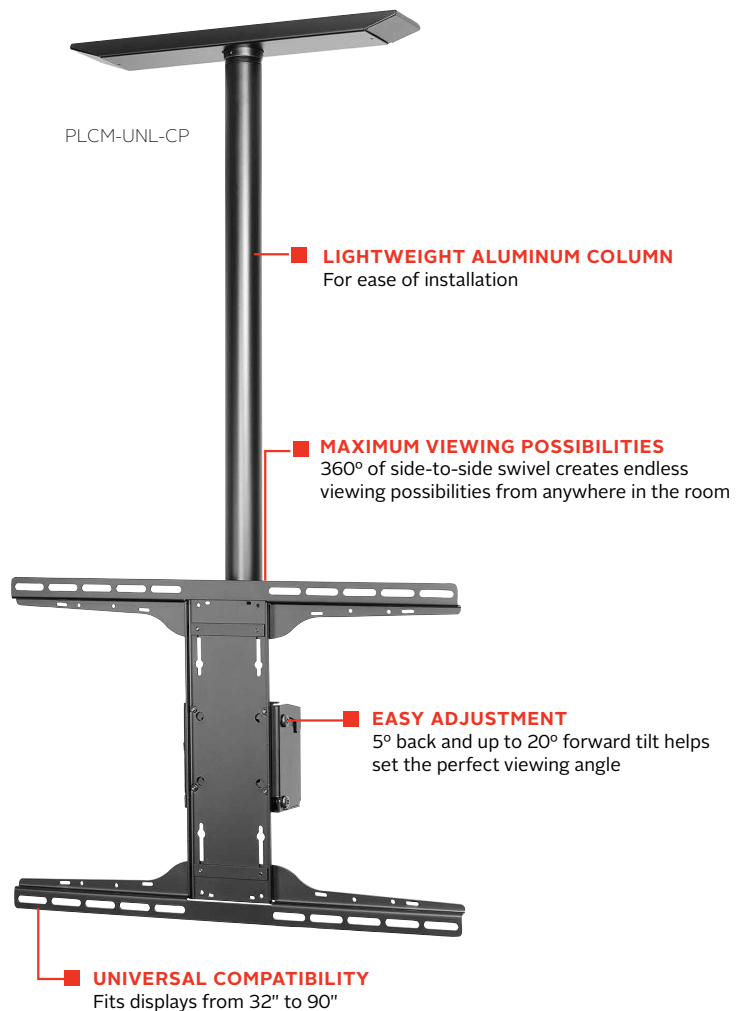
Universal Ceiling Mounts

FOR 32" TO 90" DISPLAYS

The SmartMount® PLCM-UNL(-CP) Universal Ceiling Mounts utilize 1.5" NPT extension pipes for versatility, support, and connection. The 1.5" NPT threaded pipes make it simple to customize each mount to your specific application. The PLCM-UNL kit combines the PLP-UNL Universal I-Shaped Adaptor plate, the PLCM-2 tilt box, and the EXT103 fixed length 1.5" NPT column, to deliver a drop of 36" for display mounting patterns of up to 600 x 400mm. When combined with a Peerless-AV® ceiling plate, it provides the perfect combination for flat panel ceiling mounting in sports facilities, airports, lobbies, or retail environments.

- -5° to 20° adjustable tilt and 360° swivel
- Peerless-AV EXT103 Aluminum Extension Column included, providing a 36" drop
- Simple hook-on display installation
- Universal I-Shaped Adaptor fits displays with mounting holes up to 600 x 400mm
- Landscape or portrait orientation
- Integrated cable management protects, contains and conceals cables for a clean, professional installation

PLCM-UNL-CP



RoHS
2002/95/EC

✉ info@peerless-av.com

🌐 peerless-av.com

peerless-AV®
Driving Technology Through Innovation

PLCM-UNL/PLCM-UNL-CP SmartMount® Universal Ceiling Mount for 32" to 90" Displays

Product Specifications

	DIMENSIONS (W x H x D)	PRODUCT WEIGHT	LOAD CAPACITY	FINISH	AVAILABLE COLORS
PLCM-UNL	24.38" x 43.23" x 4.03" (619 x 1098 x 103mm)	22.8lb (10.3kg)	150lb (68.2kg)	Powder Coat	Black
PLCM-UNL-CP	24.38" x 44.23" x 4.03" (619 x 1123 x 103mm)	25.6lb (11.6kg)			

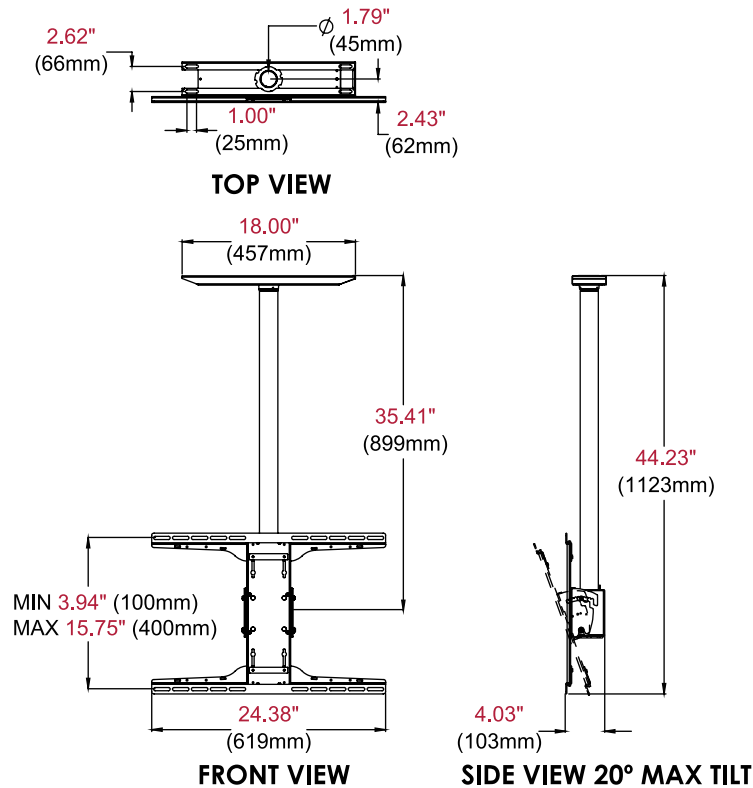
Package Specifications

	PACKAGE SIZE (W x H x D)	PACKAGE SHIP WEIGHT	PACKAGE UPC CODE	PACKAGE CONTENTS	UNITS IN PACKAGE
PLCM-UNL	46.25" x 7.75" x 3.63" (1175 x 197 x 92mm)	29.6lb (13.4kg)	735029241713	EXT103 Extension column, PLCM-2 tilt box, PLP-UNL Universal I-Shaped Adaptor, mounting hardware & instructions	1
PLCM-UNL-CP	46.25" x 7.75" x 3.63" (1175 x 197 x 92mm)	31.7lb (14.4kg)	735029241720	CMJ470 Ceiling plate, EXT103 extension column, PLCM-2 tilt box, PLP-UNL Universal I-Shaped Adaptor, mounting hardware & instructions	

Accessories

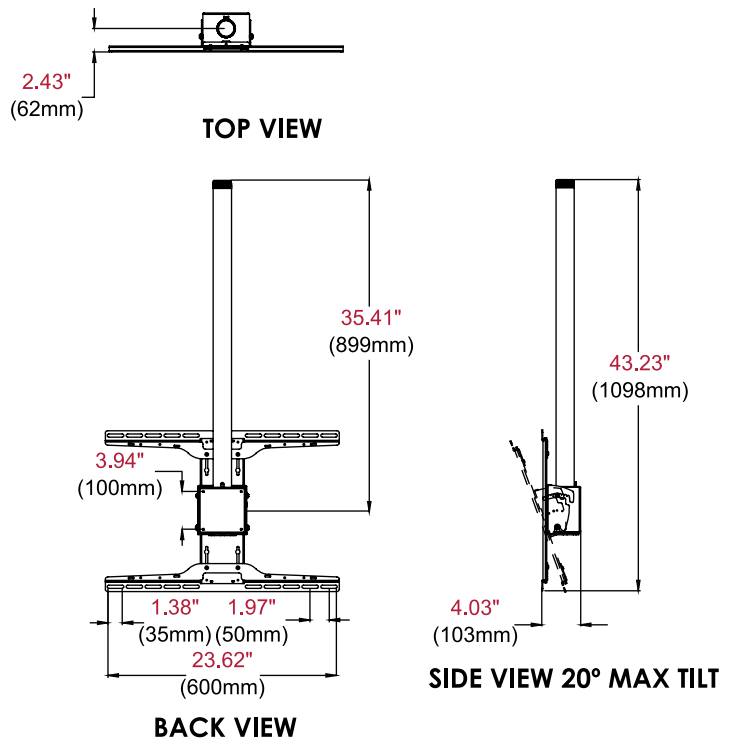
ACC, CMJ, DCS, DCT Models: Ceiling Plates

PLCM-UNL-CP



PLCM-UNL

All dimensions = inch (mm)



Architect Specifications

The Smartmount® Universal Ceiling Mount shall be a Peerless-AV model PLCM-UNL or PLCM-UNL-CP and shall be located where indicated on the plans. Assembly and installation shall be done according to instructions provided by the manufacturer.

Visit peerless-av.com to see the complete line of AV solutions from Peerless-AV, including outdoor displays, wireless, kiosks, digital audio, display mounts, projector mounts, carts/stands, and a full assortment of accessories.

Peerless-AV
 2300 White Oak Circle
 Aurora, IL 60502 USA
(800) 865-2112
(630) 375-5100
Fax: (800) 359-6500

Peerless-AV EMEA
 Unit 3 Watford Interchange
 Colonial Way, Watford
 Herts, WD24 4WP
 United Kingdom
+44 (0) 1923 200100
Fax: +44 (0) 1923 200101

Peerless-AV Latin America
 Ave de las Industrias 413
 Parque Industrial Escobedo
 Escobedo, N.L.,
 Mexico 66062
+52 (81) 8384-8300
Fax: +52 (81) 8384-8360

