

## Overview

---

2-way bass-reflex bi-amplified nearfield studio monitor with 6.5" cone woofer and 1" dome tweeter.



HS7 (Black)



HS7 (White)

## Features

---

- 2-way bass-reflex bi-amplified near-field studio monitor with 6.5" cone woofer and 1" dome tweeter
- 43Hz-30kHz frequency response (-10dB)
- 60W LF plus 35W HF bi-amp system for high-performance 95W power amplification
- ROOM CONTROL and HIGH TRIM response controls
- XLR and TRS phone jack inputs accept balanced or unbalanced signals
- Available in black or white finish
- Mounting points for fixed installation (HS7I)

## Specifications

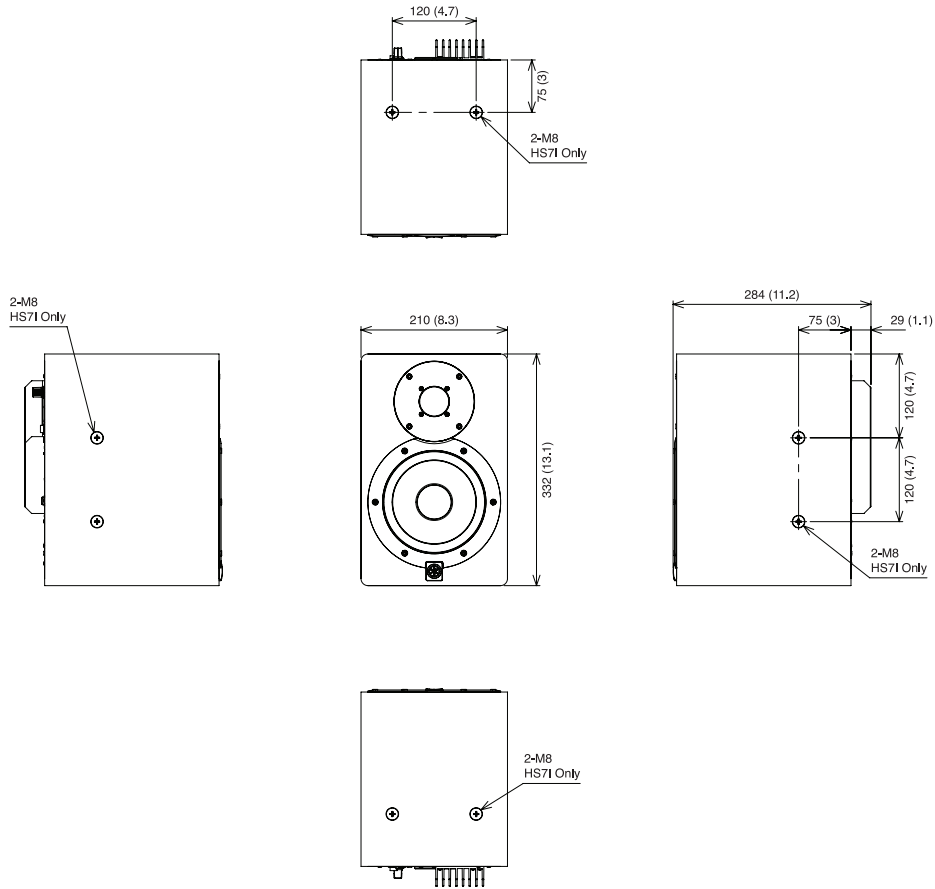
### General Specifications

System Type		2-way bi-amp powered speaker, Bass-reflex type
Components	LF	6.5" cone
	HF	1" dome
Frequency Range	(-10dB)	43Hz-30kHz
Crossover Frequency		2kHz
Output Power* <sup>1</sup>	Dynamic	95W (LF:60W, HF:35W)
Controls		LEVEL control (+4 dB, center click) EQ: HIGH TRIM switch (+/- 2 dB at HF), ROOM CONTROL switch (0/-2/-4 dB under 500Hz)
1/8 Power Consumption		55W
Rigging Points		HS7I: Four surfaces x 2 x M8 (120mm pitch)
Material, Finish, Color		MDF, Black/White
Dimensions (W x H x D)		210mm x 332mm x 284mm (8.3" x 13.1" x 11.2")
Net Weight		8.2kg (18.1lbs)
Packaging		Single
Optional Accessories		HS7I: BWS251-300, BWS251-400, BWS50-260, BWS50-190, BCS251, BBS251

\*1 Power rating (120V, 25°C). This is total value of individual output power.

## Dimensions

Unit: mm (inch)



## Options

### HS7I:

- Wall Bracket BWS251-300
- Wall Bracket BWS251-400
- Wall Bracket BWS50-260
- Ceiling Bracket BCS251
- Ceiling Bracket BWS50-260
- Ceiling Bracket BWS50-190
- Baton Bracket BBS251

## Architectural and Engineering Specifications

---

The Yamaha HS7 and HS7I Powered Studio Monitors shall be two-way bass-reflex type monitor speakers with a 6.5" cone driver for the low frequencies and a 1" dome driver for the high frequencies. The monitor speakers shall have built-in bi-amplified power with class-D amplifiers (95 watts total dynamic power), and shall include HIGH TRIM and ROOM CONTROL response controls. The amplifier section of the monitor speaker shall be cooled by natural convection.

The HS7 and HS7I Powered Studio Monitors shall meet the following performance criteria: Frequency response shall be 43 Hz to 30 kHz at 10 dB below rated sensitivity, and the frequency dividing network shall have a crossover frequency of 2 kHz.

The monitor speaker shall have one XLR3-31 connector and one phone jack for input. The cabinet shall be constructed of MDF. The HS7I model shall additionally provide mounting points on four surfaces. Dimensions shall be 210 (W) x 332 (H) x 284 (D) mm. Weight shall be no more than 8.2 kg (HS7)/8.7 kg (HS7I).

\*All information subject to change without notice.

\*All trademarks and registered trademarks are property of their respective owners.

Created in March, 2017

**YAMAHA CORPORATION**  
P.O.BOX 1, Hamamatsu Japan  
[www.yamahaproaudio.com](http://www.yamahaproaudio.com)